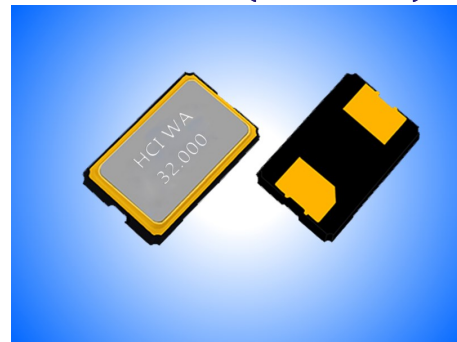


QUARTZ CRYSTAL UNIT IN SMD 5.0x3.2MM CERAMIC SEAM SEAL PACKAGE.
PRODUCT FEATURES

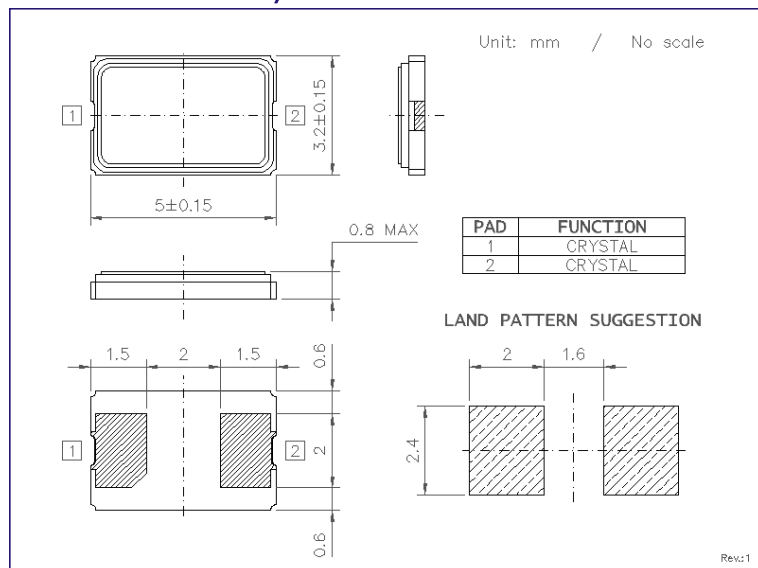
- Small dimensions 5.0x3.2x0.7 with 2 solder pads.
- Highly reliable seam sealed ceramic package.
- Tight tolerances and stabilities over temperature range.
- Automotive compliance to AEC-Q200 available.
- ROHS compliant, LEAD-FREE and HALOGEN-FREE.

PRODUCT PHOTO (NOT IN SCALE)

APPLICATIONS

- Wireless LAN
- Bluetooth
- Mobil communication
- Handheld equipment

PRODUCT SPECIFICATIONS

| PARAMETER | XC53M2 | | CONDITIONS / REMARKS |
|------------------------------|--------------------------|--------------|--------------------------|
| Nominal frequency range | 8.000 ~ 55.000MHz | | -- |
| Crystal cut and mode | AT-cut / Fundamental | | -- |
| Frequency tolerance | ±10ppm / ±20ppm / ±30ppm | | Other options available. |
| Frequency stability | ±10ppm | ±15ppm | Other options available. |
| Operating temperature range | -20 to +70°C | -40 to +85°C | Other options available. |
| Equivalent series resistance | <80Ω | | 8.000 to 9.999MHz |
| | <70Ω | | 10.000 to 11.999MHz |
| | <60 ~ 50Ω | | 12.000 to 19.999MHz |
| | <50 ~ 40Ω | | 20.000 to 55.000MHz |
| Load capacitance | 6 ~ 32pF or SERIES | | Please specify. |
| Shunt capacitance | <5.0pF | | -- |
| Drive level | 100μW TYP / 300μW MAX | | -- |
| Storage temperature range | -55 to +125°C | | -- |

PACKAGE OUTLINE / DIMENSIONS

PACKAGING INFORMATION

- Tape & Reel compliant to EIA-481.
- Embossed carrier width 12mm.
- Component pitch in carrier 8mm.
- Reel diameter 180mm.
- QTY per reel: 1,000pcs MAX.

RECOMMENDED REFLOW PROFILE
