

TCXO UNIT WITH CLIPPED SINE WAVE OUTPUT IN SMD 3.2x2.5MM CERAMIC SEAM SEAL PACKAGE.

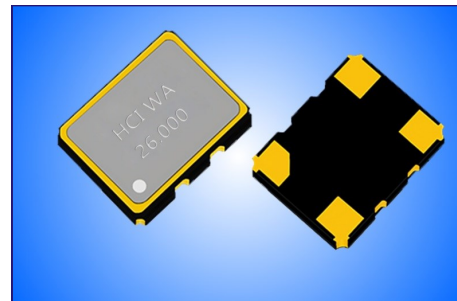
PRODUCT FEATURES

- Small dimensions 3.2x2.5x0.9 with 4 solder pads.
- Tight stabilities over temperature range.
- RoHS compliant, LEAD-FREE, HALOGEN-FREE and REACH compliant.

APPLICATIONS

- WiMAX / WLAN / Ethernet
- Telecommunication
- Mobil applications

PRODUCT PHOTO (NOT IN SCALE)

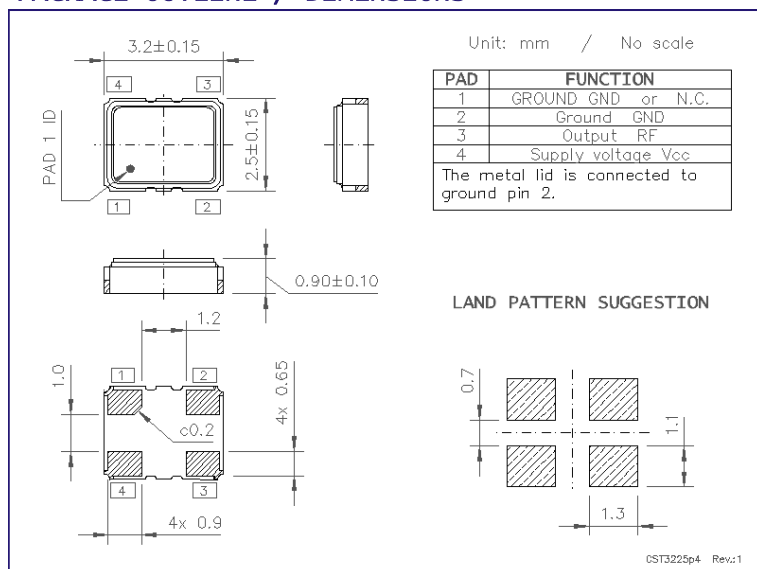


PRODUCT SPECIFICATIONS

PARAMETER	SUPPLY VOLTAGE			REMARKS
	1.8V	2.5V	2.8/ 3.0/ 3.3V	
Frequency range	10 ~ 52MHz			--
Frequency tolerance	±2.0ppm			Initial tol. @+25°C
Frequency stability	±0.5ppm; ±1.0ppm; 1.5ppm; ±2.0ppm; ±2.5ppm			See note below table
Operating temperature range	-20 to +70°C / -30 to +85°C / -40 to +85°C			In combination to above stabilities.
Aging per year	±1.0ppm			@+25°C
Output waveform	Clipped Sine Wave			--
Output load	10kΩ/10pF			--
Output voltage level	0.8Vp-p			Minimum
Phase noise (example 19.2MHz)	-115dBc/Hz / -135dBc/Hz / -148dBc/Hz			@100Hz / 1kHz / 10kHz
Phase jitter RMS	<1ps			12kHz≤Fj≤20MHz
Supply current	1.5mA / 2.0mA			@10kΩ/10pF (higher value >26MHz)

Note: Frequency stability is the frequency deviation over temperature range in reference to +25°C

PACKAGE OUTLINE / DIMENSIONS



PACKAGING INFORMATION

- Tape & Reel compliant to EIA-481.
- Embossed carrier width 8mm.
- Component pitch in carrier 4mm.
- Reel diameter 180mm.
- QTY per reel: 3,000pcs

RECOMMENDED REFLOW PROFILE

